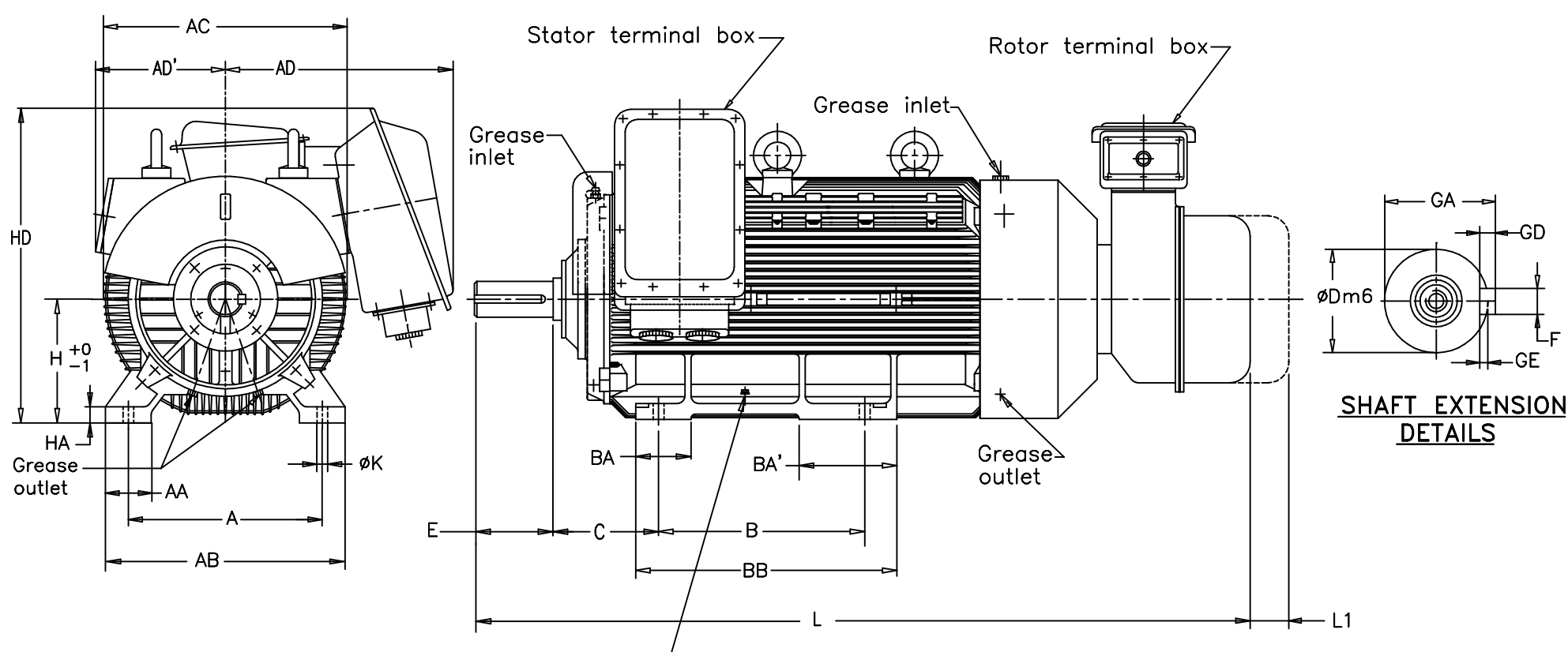


AS PER KSD-02-027

90	0.2	0.4	0.6	0.8	1.6	3.2	6.3	12.5	25
0.025	0.05	0.1	0.2	0.4	0.6	0.8	1.6	3.2	6.3
0.025	0.05	0.1	0.2	0.4	0.6	0.8	1.6	3.2	6.3
0.025	0.05	0.1	0.2	0.4	0.6	0.8	1.6	3.2	6.3
0.025	0.05	0.1	0.2	0.4	0.6	0.8	1.6	3.2	6.3
0.025	0.05	0.1	0.2	0.4	0.6	0.8	1.6	3.2	6.3
0.025	0.05	0.1	0.2	0.4	0.6	0.8	1.6	3.2	6.3
0.025	0.05	0.1	0.2	0.4	0.6	0.8	1.6	3.2	6.3
0.025	0.05	0.1	0.2	0.4	0.6	0.8	1.6	3.2	6.3
0.025	0.05	0.1	0.2	0.4	0.6	0.8	1.6	3.2	6.3



- NOTE:-**
1. DIMENSIONS ARE AS PER I.S.1231.
  2. DEGREE OF PROTECTION: IP:55.
  3. PROTECTED CENTER HOLE "M24x50" DEEP AS PER IS:2540 AT SHAFT EXTENSION.
  4. TERMINAL BOX CAN BE ROTATED THROUGH 360° IN STEPS OF 90°.
  5. 4 NOS. OF M12 HOLES, ONE ON EACH FOOT ARE PROVIDED FOR JACKING.

SD315 LX	4,6&8P	508	120	628	640	630	340	508	145	200	628	216	90	170	25	95	14	9	315	42	820	ø28	1980	250
FRAME	POLE	A	AA	AB	AC	AD	AD'	B	BA	BA'	BB	C	D	E	F	GA	GD	GE	H	HA	HD	K	L	L1

UNMENTIONED	CHAM:	4000	2000	1000	315	1000	2000	4000	8000	±3					
	UC:	6	315	1000	2000	4000	8000	±1.2	±2	±3					
ANGLES ± 1/2°	RAD:	0	6	315	1000	2000	4000	±0.5	±0.8	±1.2					
	LINAR DIMENSIONS (MACHINED)	ABOVE	UPTO	0	6	315	1000	2000	4000	8000	±0.2	±0.5	±0.8	±1.2	±2
REV.	ZONE	BRIEF RECORD		SIGNATURE	DATE	PP&MM SH II	PRINTS ISSUED TO								

THIS SUPERSEDES \_\_\_\_\_ FROM dt. \_\_\_\_\_ SIGN & dt. \_\_\_\_\_  
 THIS SUPERSEDED BY \_\_\_\_\_ FROM dt. \_\_\_\_\_ SIGN & dt. \_\_\_\_\_

MATERIAL SPECIFICATION	RAW MATERIAL SIZE	WEIGHT kg
		RM FINL
CASTING/FAB REF.	No.P.S.: 1	

SCALE: **MTS.S.**

**SD315 LX**

DRAWN	CHECKED	APPROVED
dt. 16/07/03	dt. 16/07/03	dt. 16/07/03

TITLE: **DIMENSIONAL DRAWING**

SHEET NO. **ONE** OF **ONE**

**KIRLOSKAR ELECTRIC COMPANY LTD. BANGALORE - 560055 (INDIA)**

FORM No: 11461633